

# 771194992



**Q.TY**



**x1**



**x3**



**x2**



**x3**



**x3**

• Spare parts •



**x3**



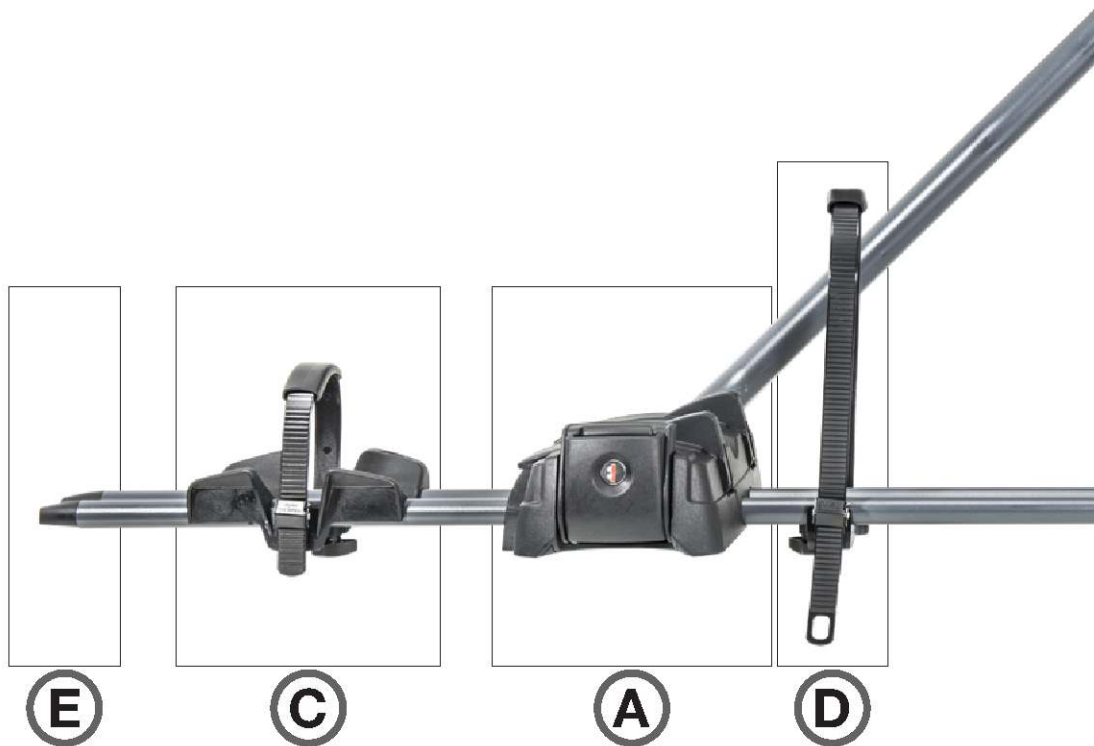
**x1**



**x1**



**x1**

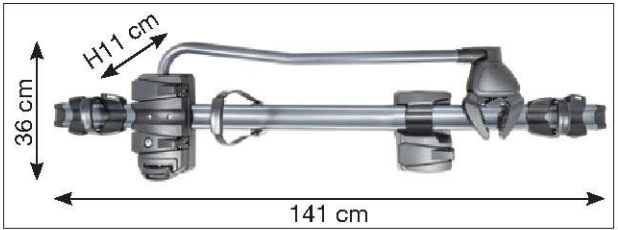




**MAX 20 kg.**

**110**  
Km/h

125 cm

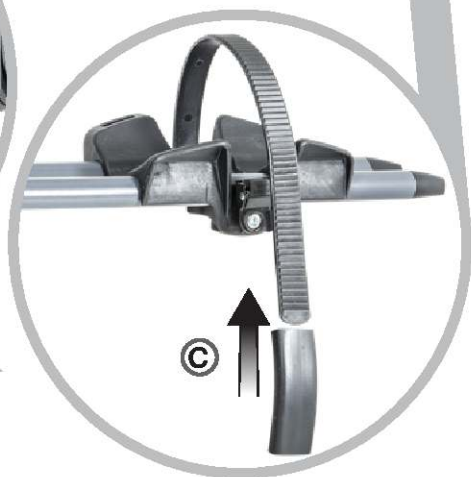
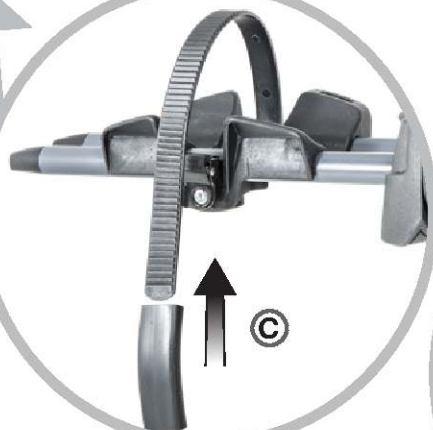
A silhouette of a bicycle is shown within a rectangular frame. A horizontal dimension line below the bicycle indicates a width of 125 cm. Above the bicycle, the text 'MAX 20 kg.' is displayed. To the right, a circular badge contains the number '110' with 'Km/h' written below it.

**B**

**C**

**E**

1

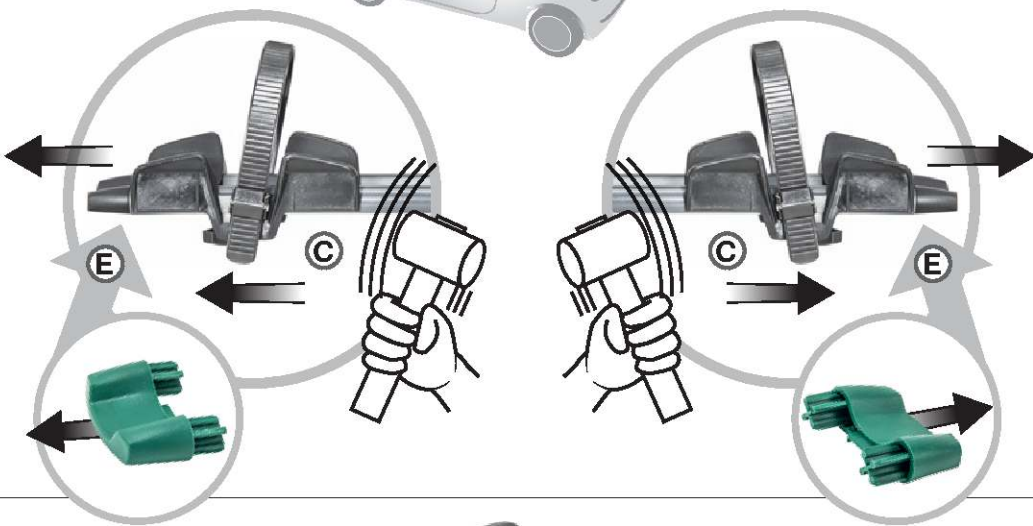


**SX**

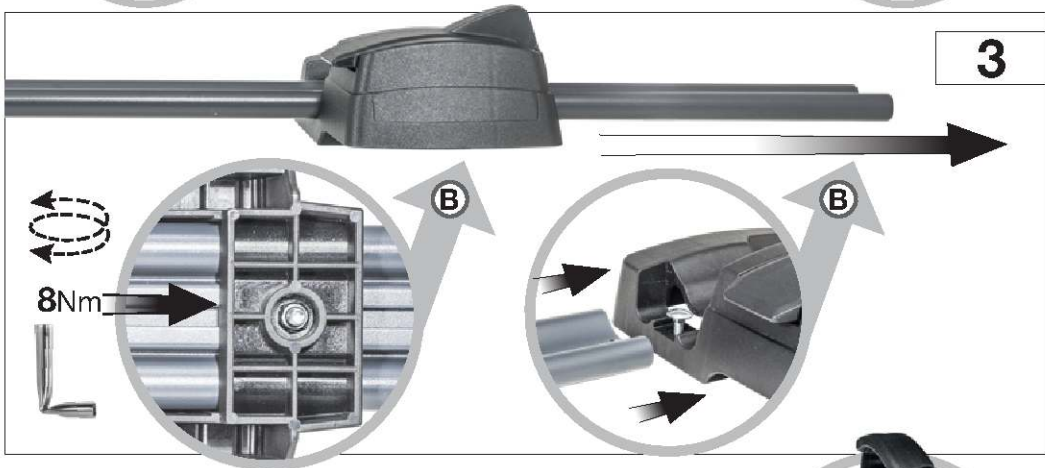


**DX**

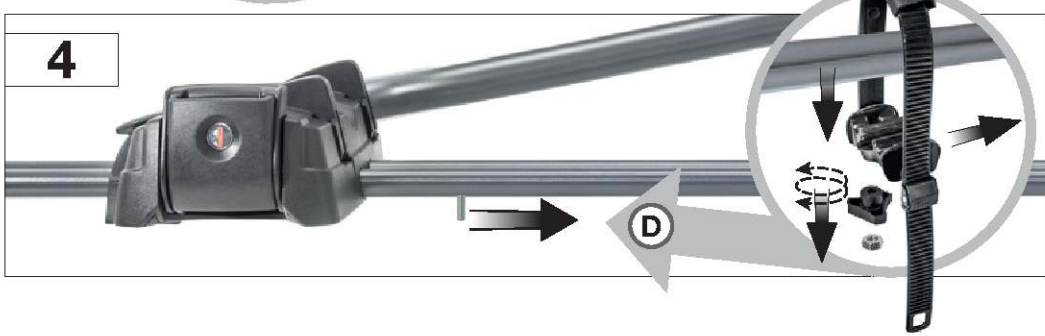
**2**

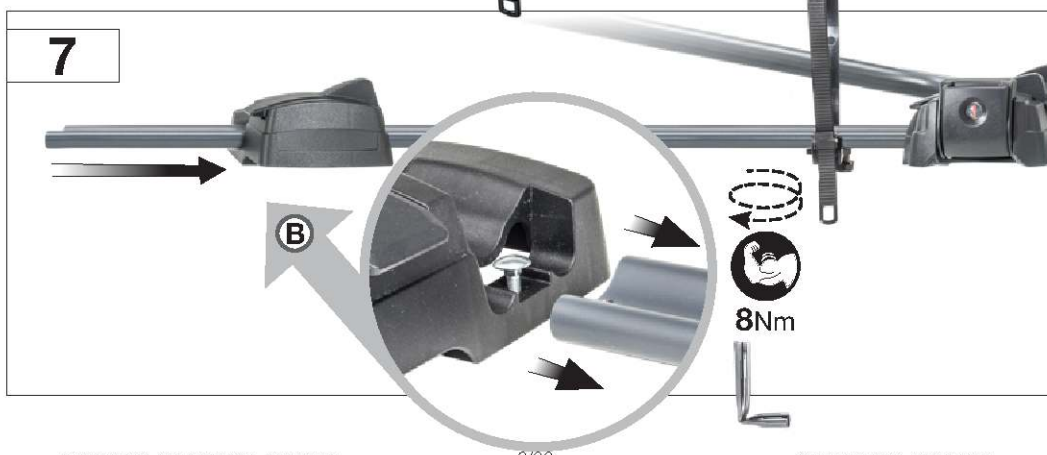
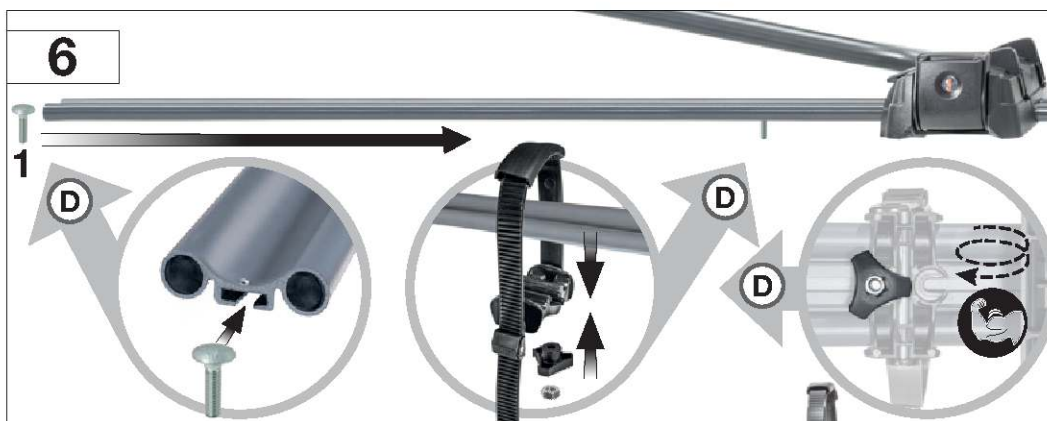
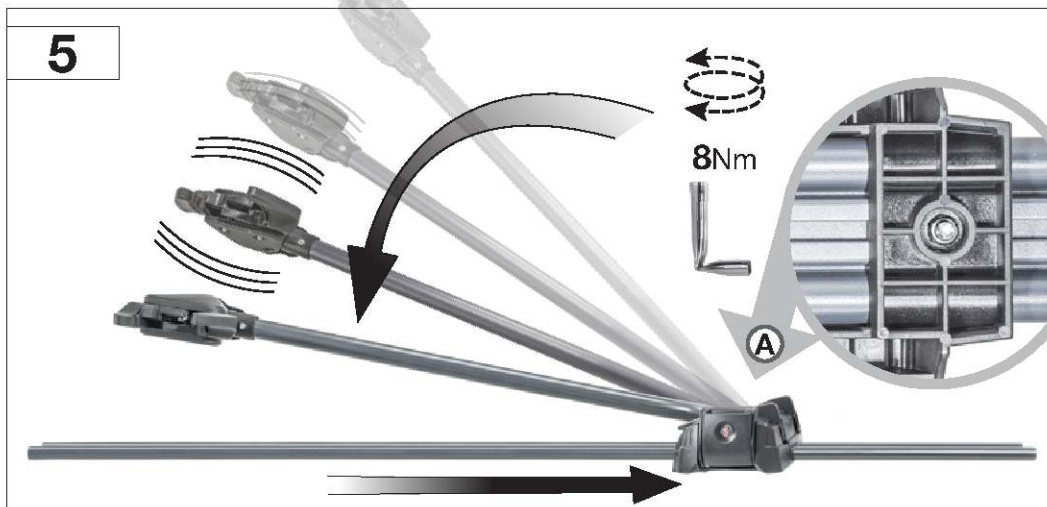


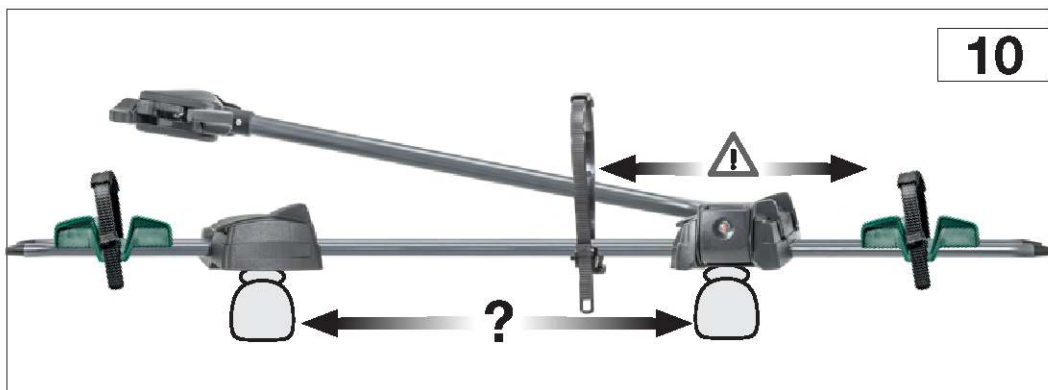
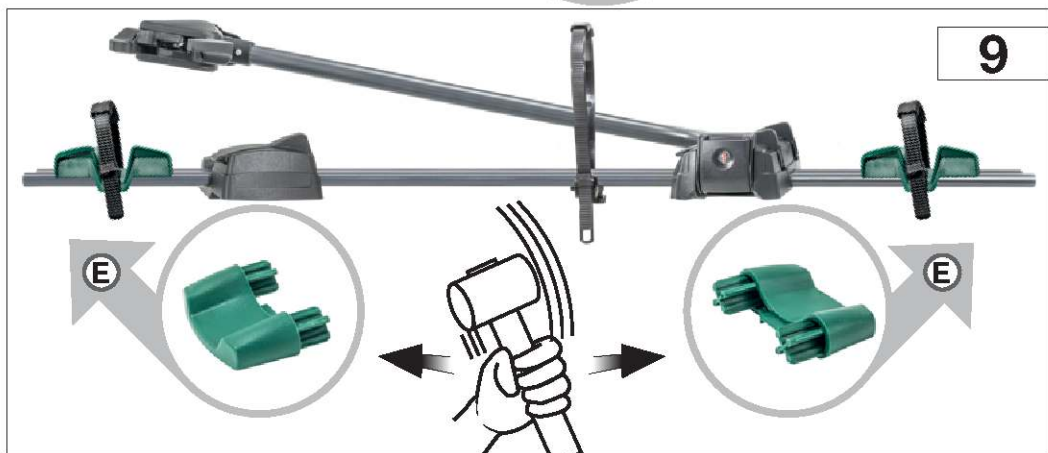
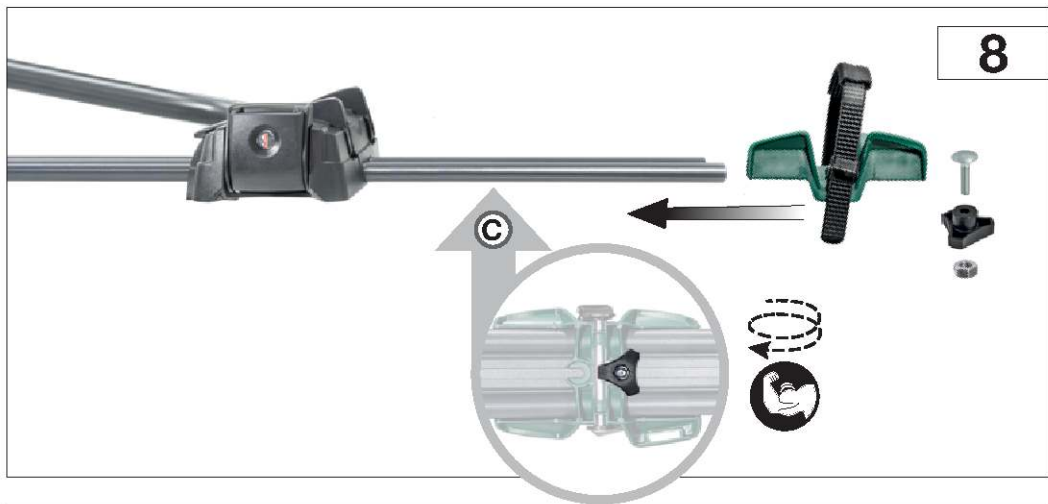
**3**

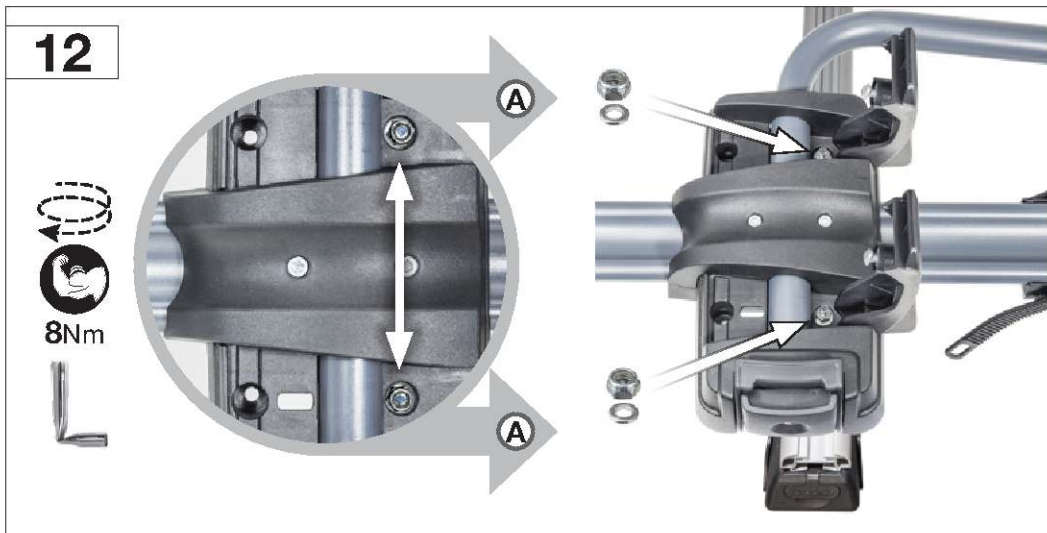


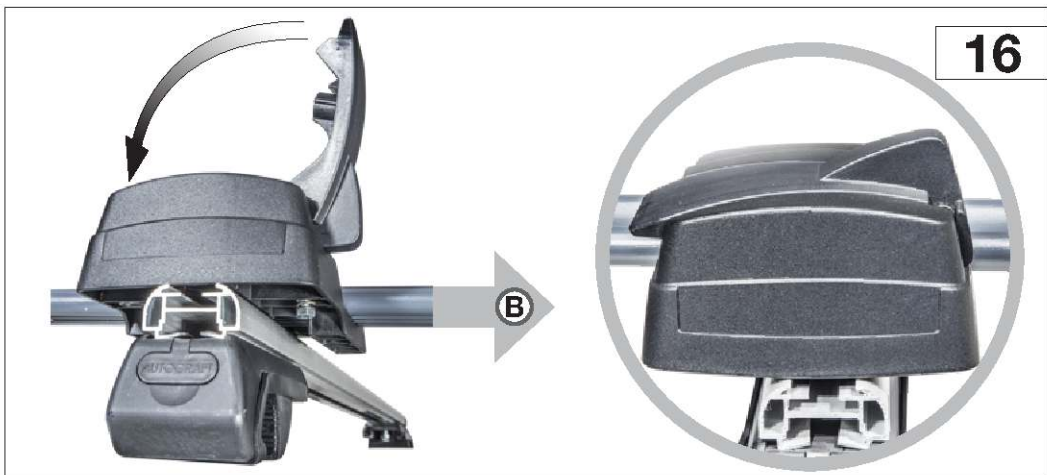
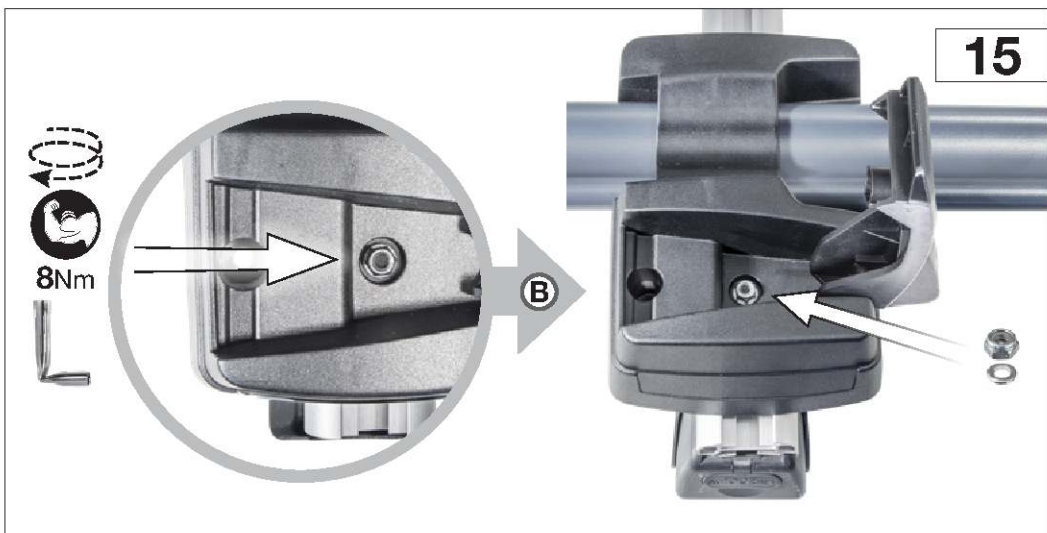
**4**

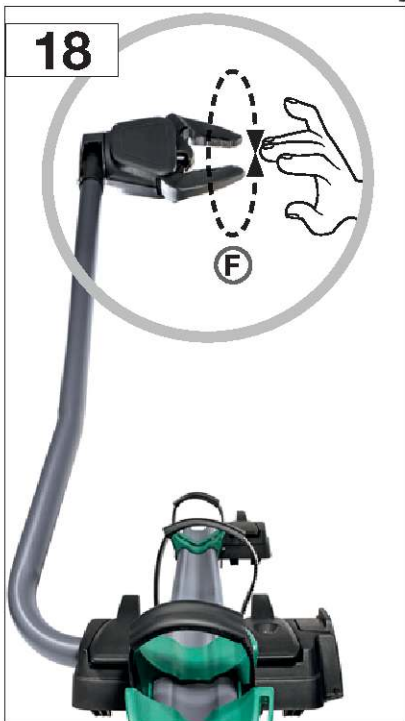




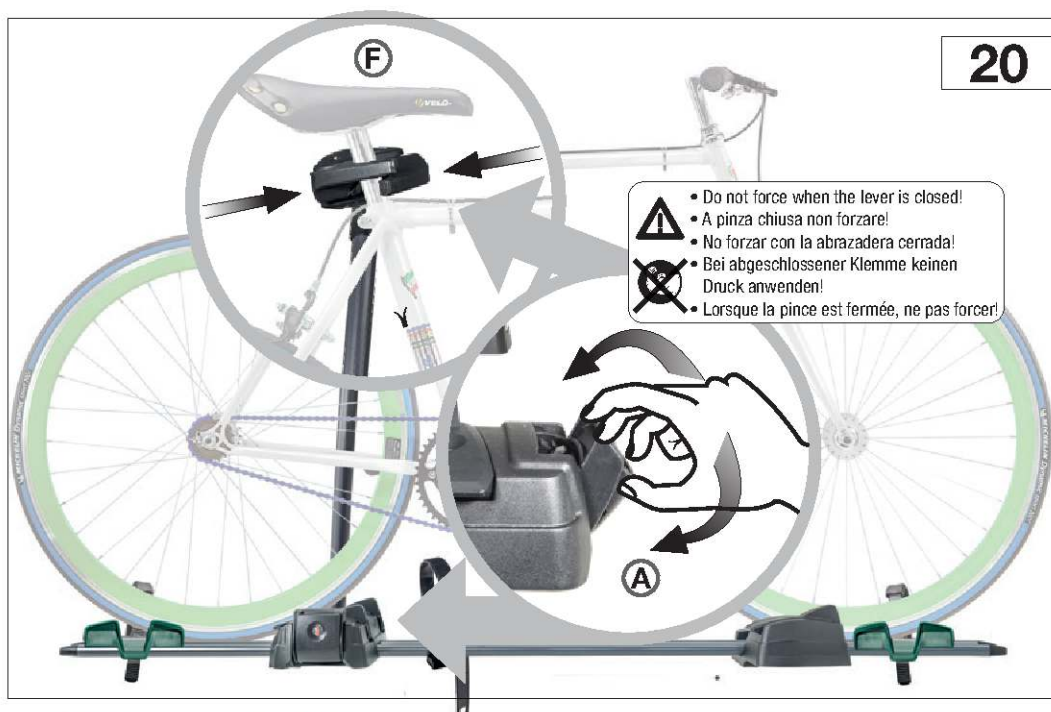




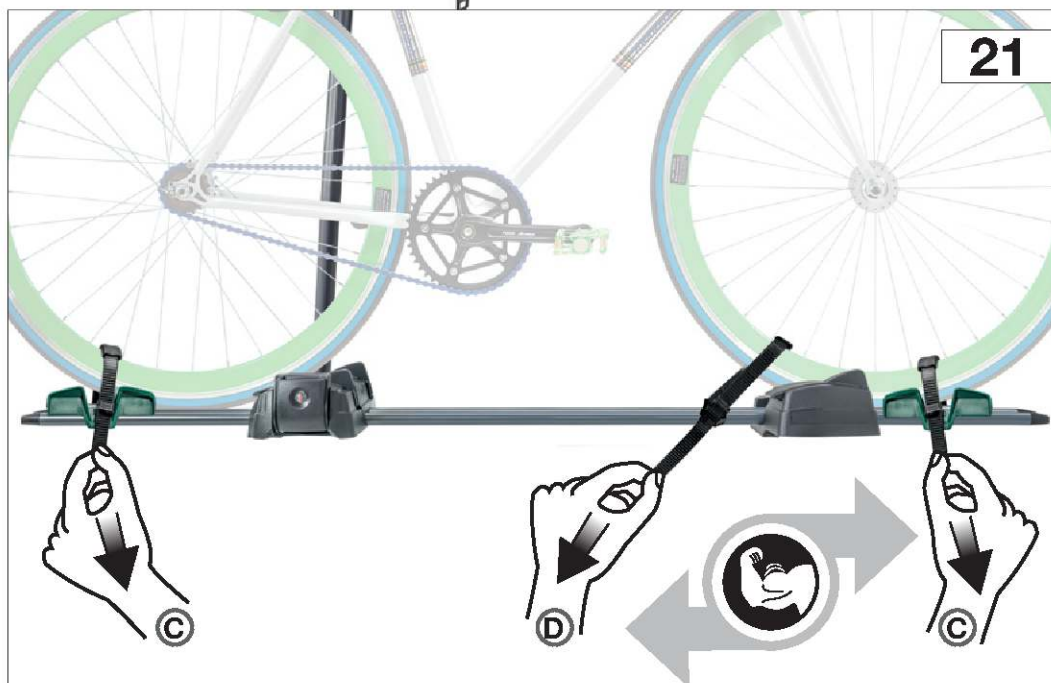




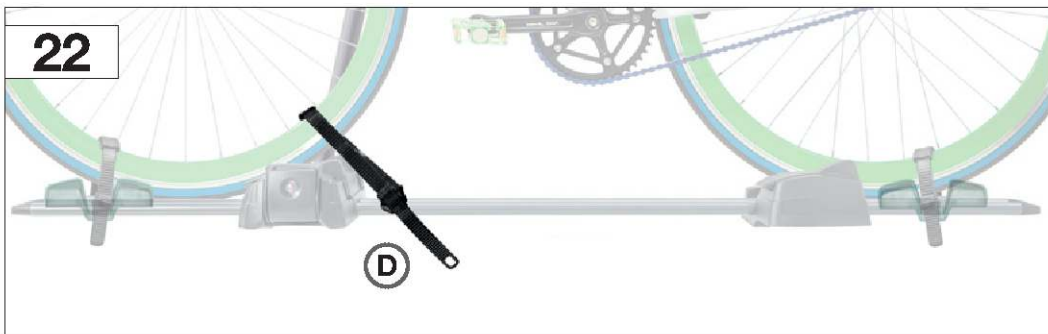
20



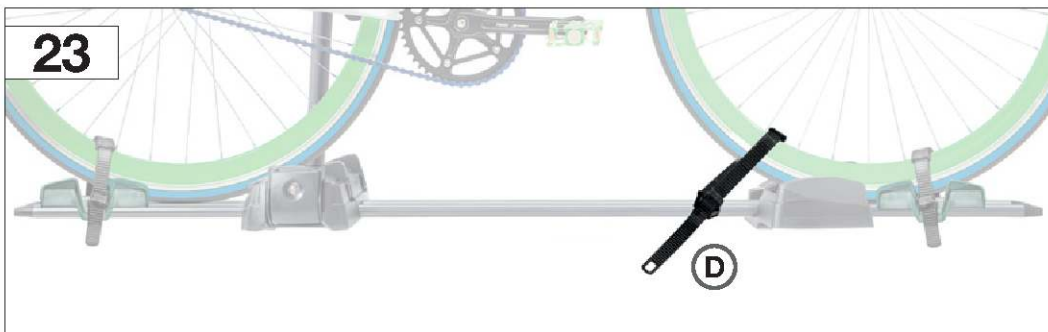
21



22



23



24



25



26



27



28



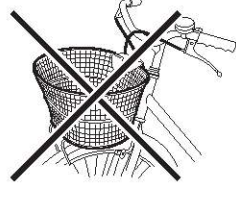
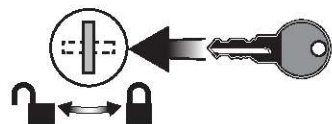
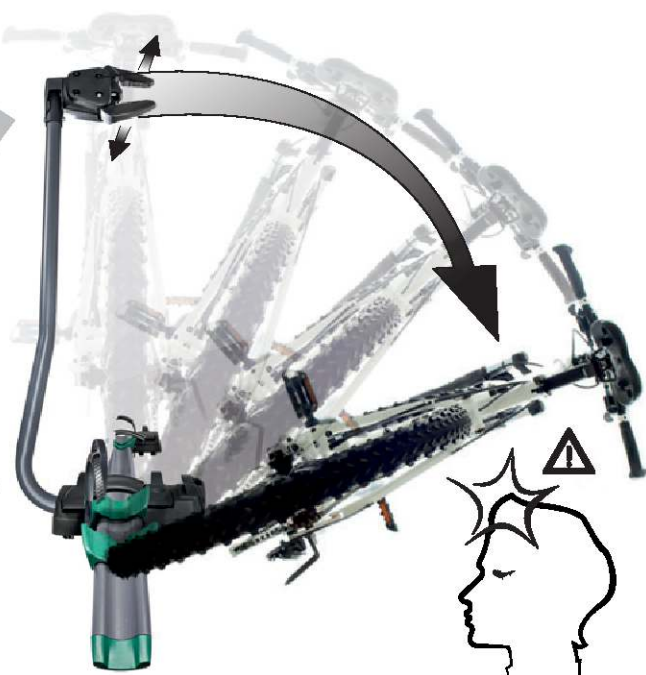
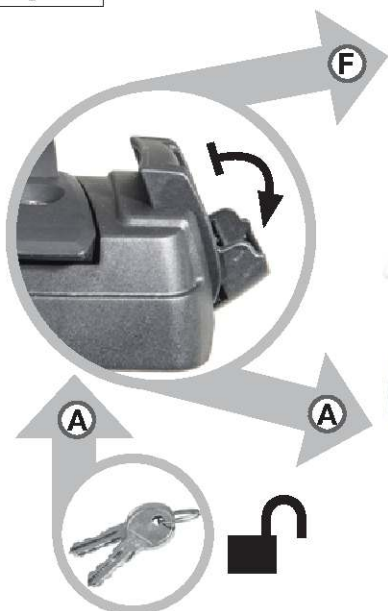
29



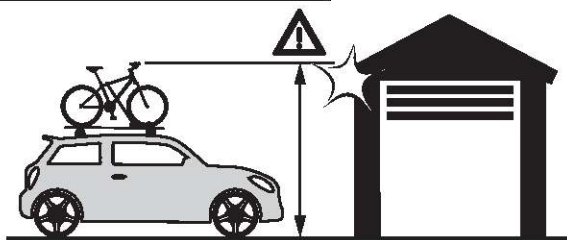
30



31



**ATTENTION!!**



**7711949993**  
**Optional**

Dacia Jogger all versions  
Dacia Sandero Stepway all versions  
Dacia Duster P1310 - 2024>



x3



x3



x3



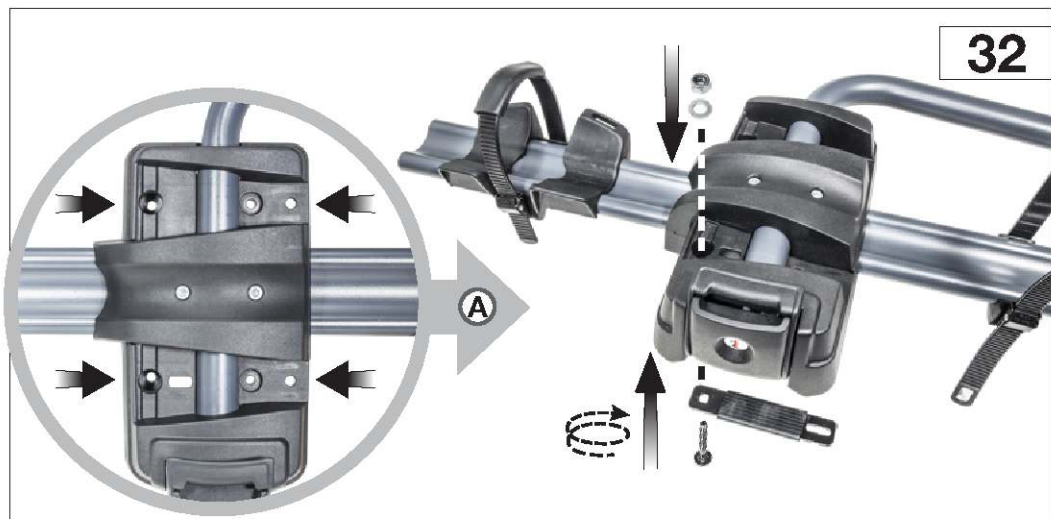
x3



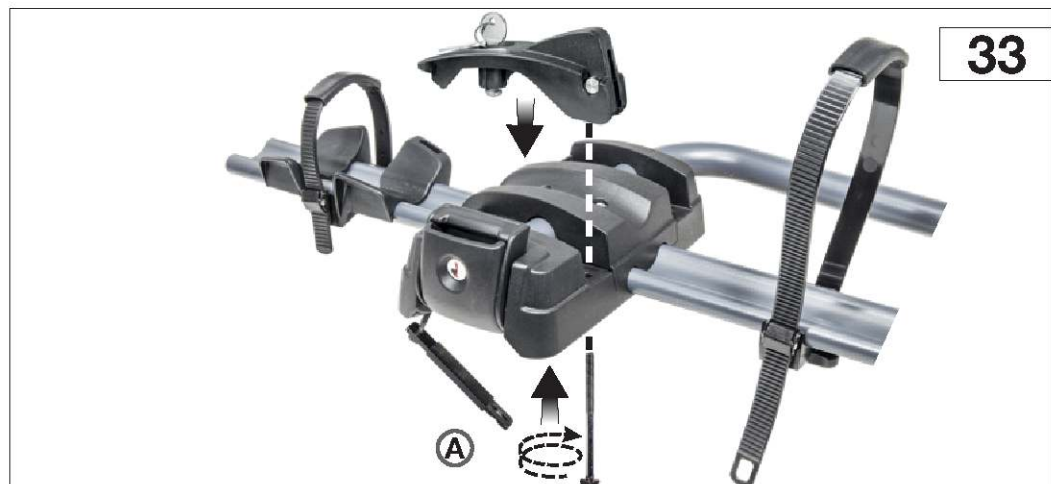
x3



x3



**32**




























**33**

34



35



code 886	 <p>x1      x1</p>
code 887	 <p>x1</p>  <p>x2</p>
code 888	 <p>x2</p>
code 889	 <p>x1</p>
code 881	 <p>x2</p>
code 891	 <p>x3</p>  <p>x3</p>  <p>x3</p>  <p>x3</p>  <p>x3</p>
code 892	 <p>x1</p>  <p>x1</p>  <p>x1</p>  <p>x1</p>  <p>x1</p>
code 893	 <p>x1</p>  <p>x1</p>  <p>x1</p>  <p>x1</p>  <p>x1</p>
code 894	 <p>x3</p>  <p>x2</p>  <p>x1</p>  <p>x1</p>

**MANUFACTURED BY:**

Peruzzo Srl, Via Meucci, 115 36028 Rossano Veneto (VI)

**UK AUTHORIZED REPRESENTATIVE:**

Health & Safety Project Engineering LTD,  
47 Newtown Road, Bishop's Stortford,  
CM23 3SB, Hertfordshire(UK)

**NAME:** Ing.re Ivano Manfrin

**e-mail:** [ivano.manfrin@engineer.uk.net](mailto:ivano.manfrin@engineer.uk.net)