

Part Number

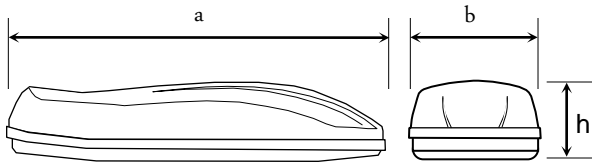
KE734-630BK

KE734-480BK

KE734-380BK

Nissan International S.A.

Key Code Sticker



REF.	LT	a (mm)	b (mm)	h (mm)	Kg
KE734-630BK	630	2.100	900	420	17,5
KE734-480BK	480	1.900	800	400	15,0
KE734-380BK	380	1.600	800	400	13,0

- Ⓐ BG Покривни клетки
- Ⓐ HR Krovnih kutija
- Ⓐ DK Tagboks
- Ⓐ DE Dachbox
- Ⓐ FI Kujjetuslaatikko
- Ⓐ FR Coffre de toit
- Ⓐ GB Roof Box
- Ⓐ GR Οροφή Βox
- Ⓐ HU Tetőbox

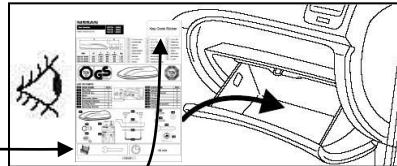
- Ⓐ IS Þak-kassi
- Ⓐ AR سقف مربع
- Ⓐ IL ג'ב'ת מ'ת
- Ⓐ IT Box da tetto
- Ⓐ NL Dakkoffer
- Ⓐ NO Takboks
- Ⓐ PL Box na dachu
- Ⓐ PT Caixa de tecto
- Ⓐ RO Caseta de acoperiș

- Ⓐ RU Крыша Βox
- Ⓐ SK Strešný box
- Ⓐ SI Strešni Box
- Ⓐ ES Caja de techo
- Ⓐ SE Takbox
- Ⓐ CZ Strešni box
- Ⓐ TR Çat Kutusu
- Ⓐ UA Дах Βox

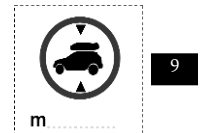
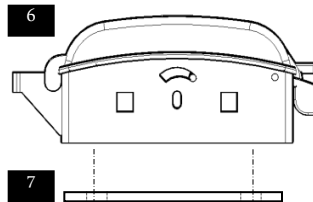
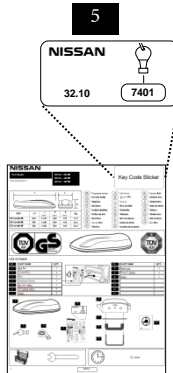
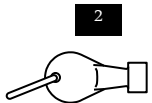


LIST OF PARTS

NO.	PART NAME	QTY.
1	Roof Box	1
2	Antitheft Key	2
3	Belts	2
4	Installation Manual	1
5	Key code sticker	1
6	Fast locking sistem	4
7	Gasket	2



NO.	PART NAME	QTY.
8	Fixing U bracket	4
9	Sticker	1
10		
11		
12		
13		
14		



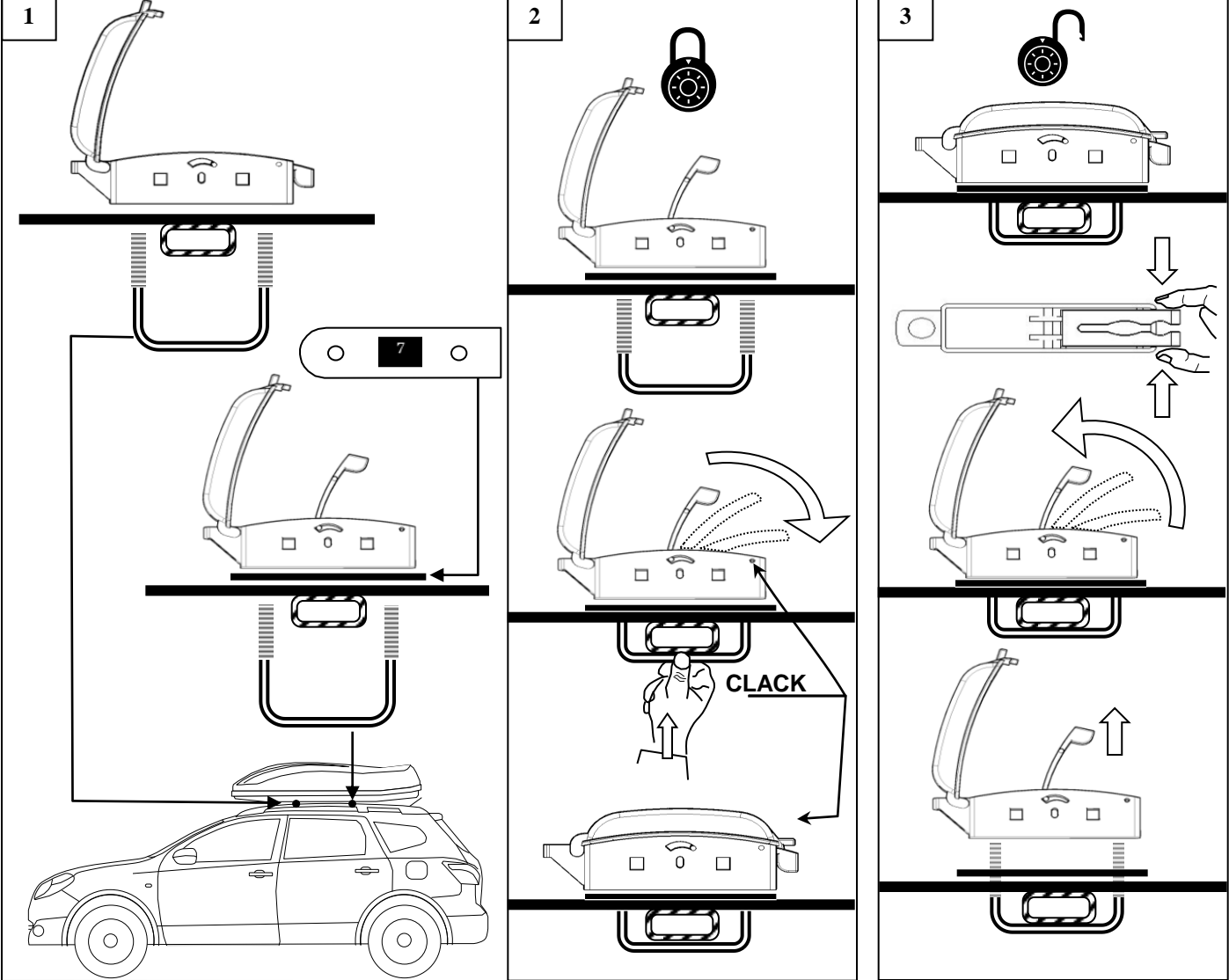


Fig. 1

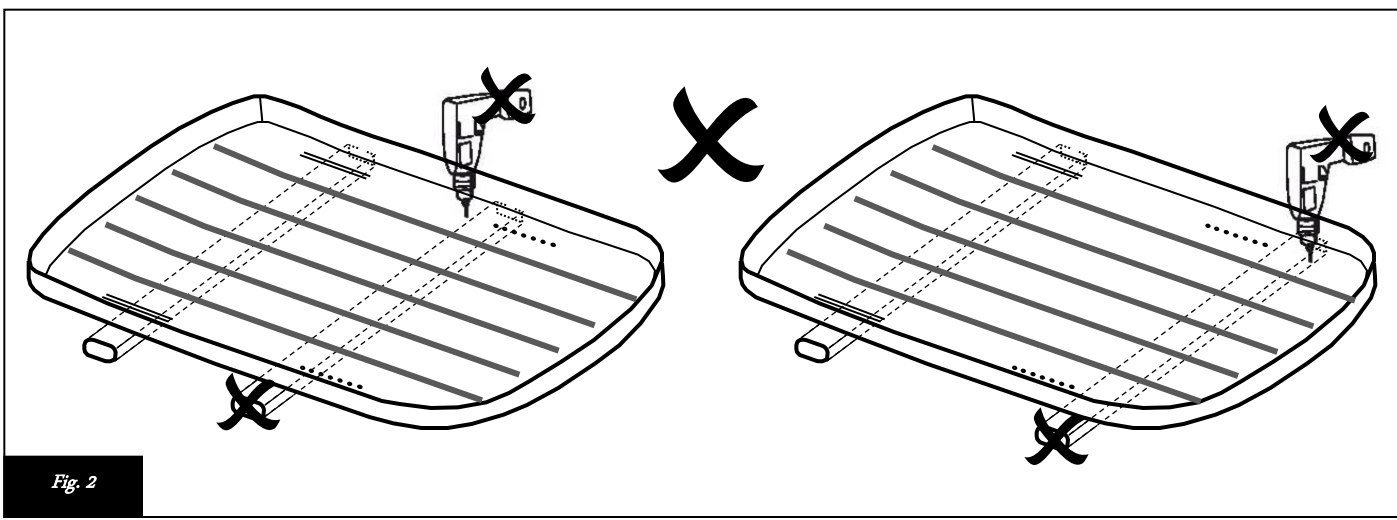


Fig. 2

Fig. 3

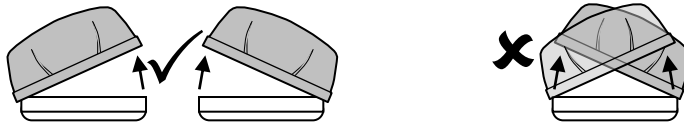


Fig. 4

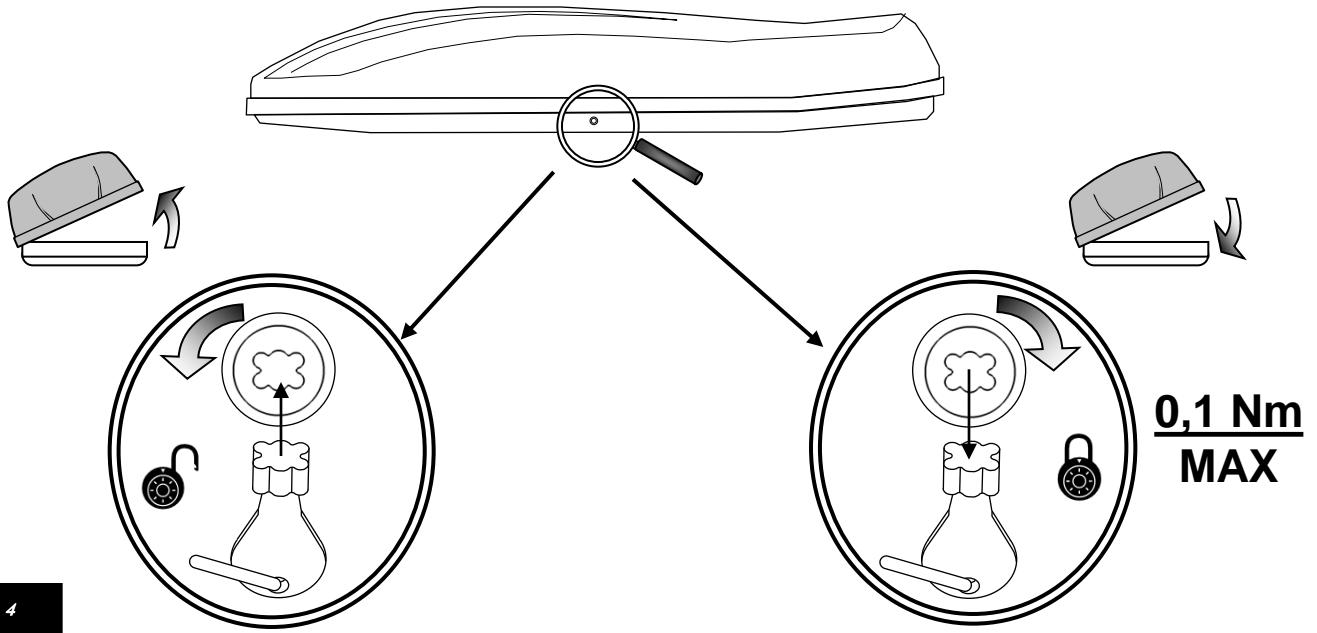


Fig. 5

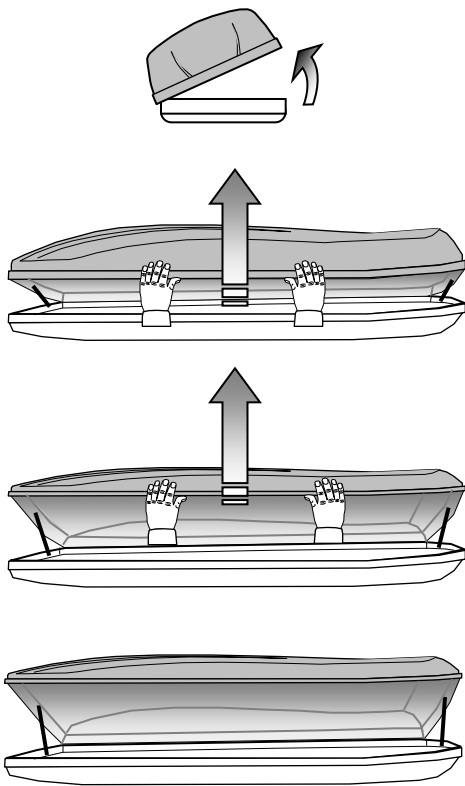
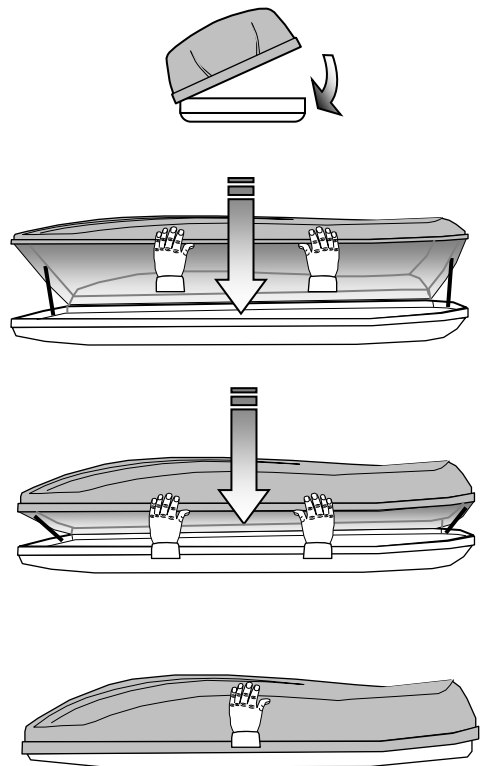


Fig. 6



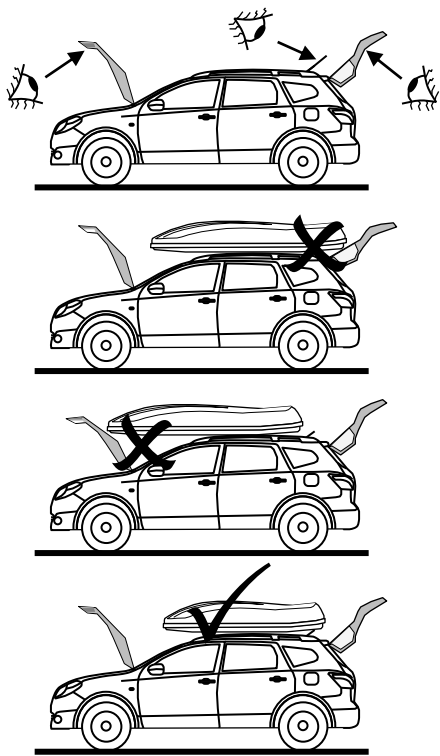


Fig. 7

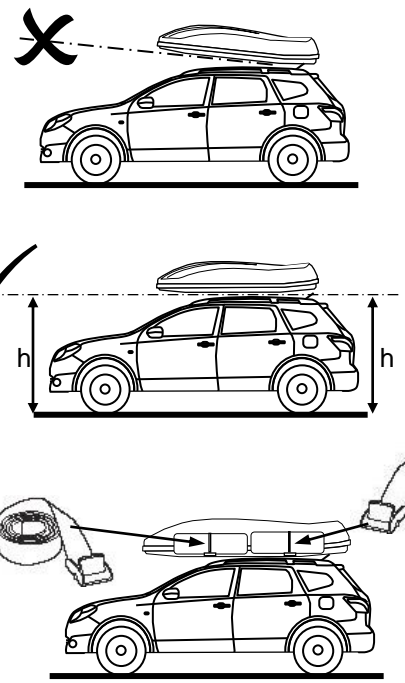


Fig. 8

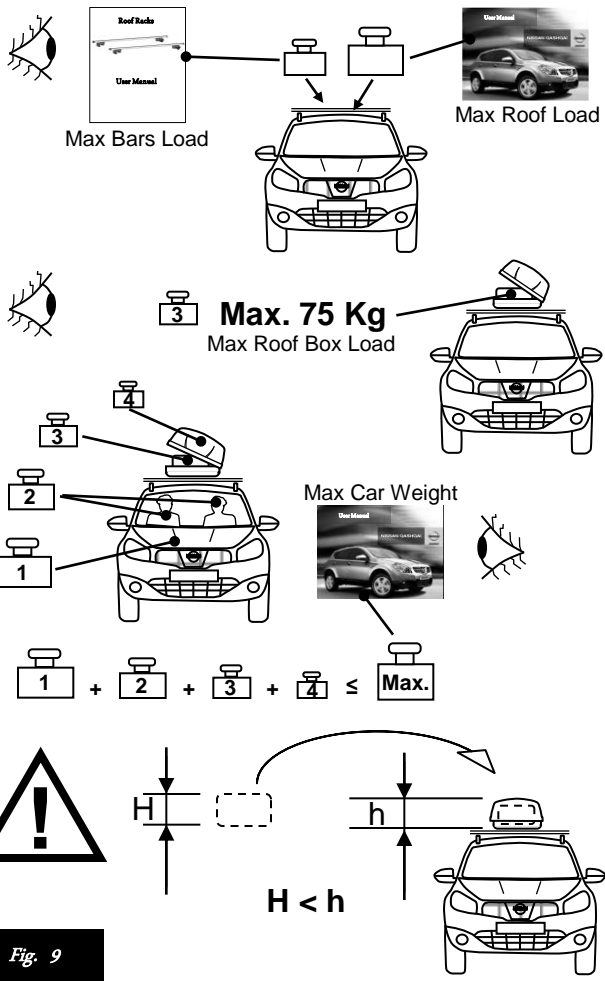


Fig. 9

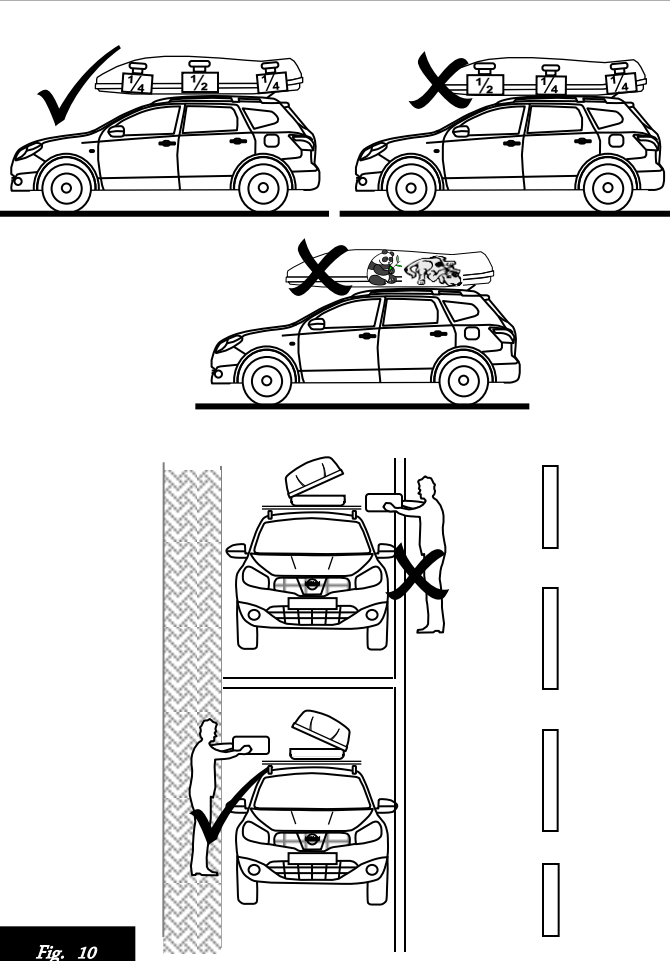


Fig. 10

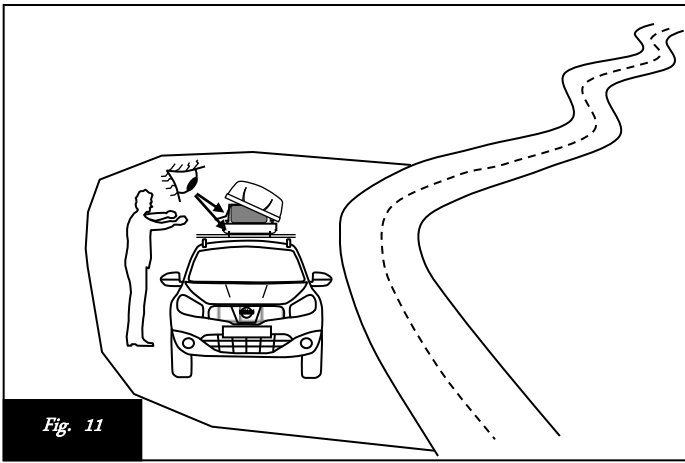


Fig. 11

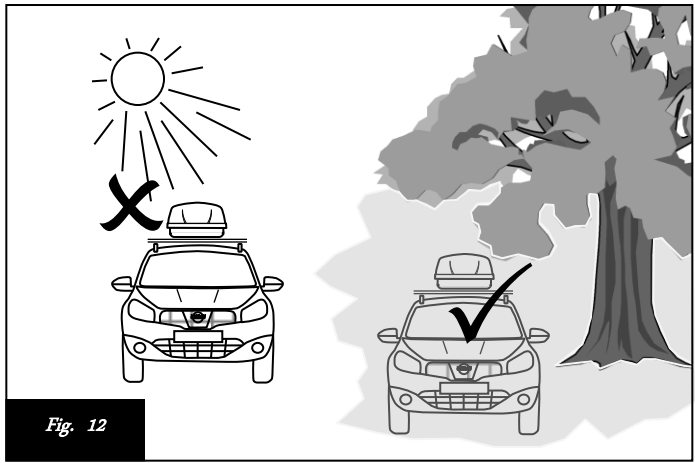


Fig. 12

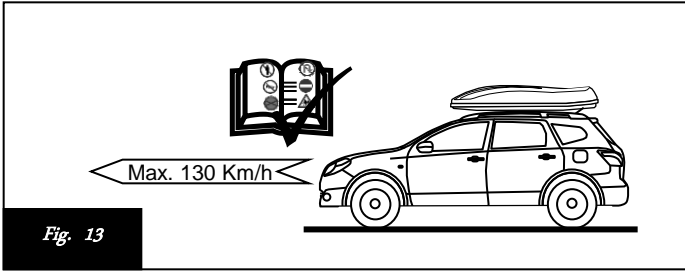


Fig. 13

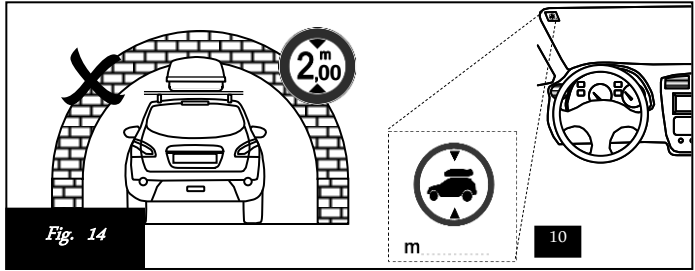


Fig. 14

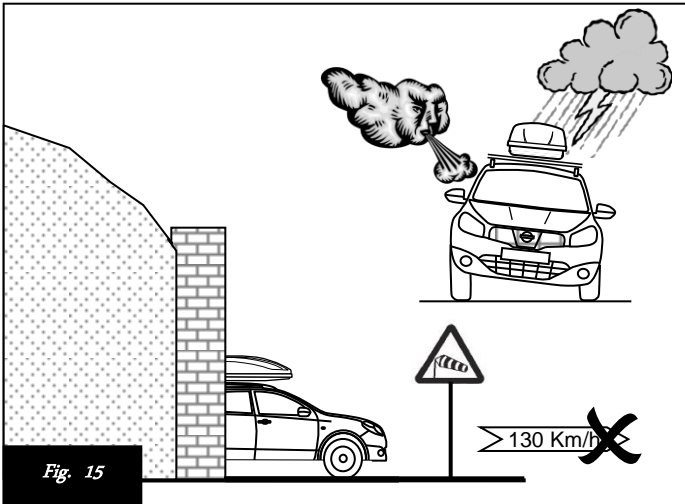


Fig. 15

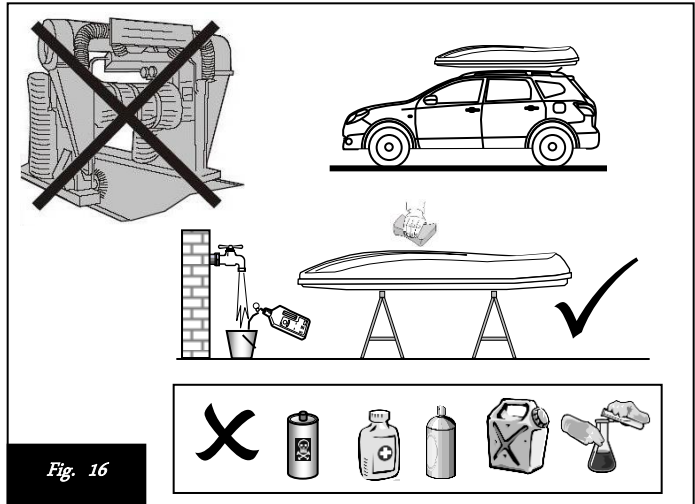


Fig. 16

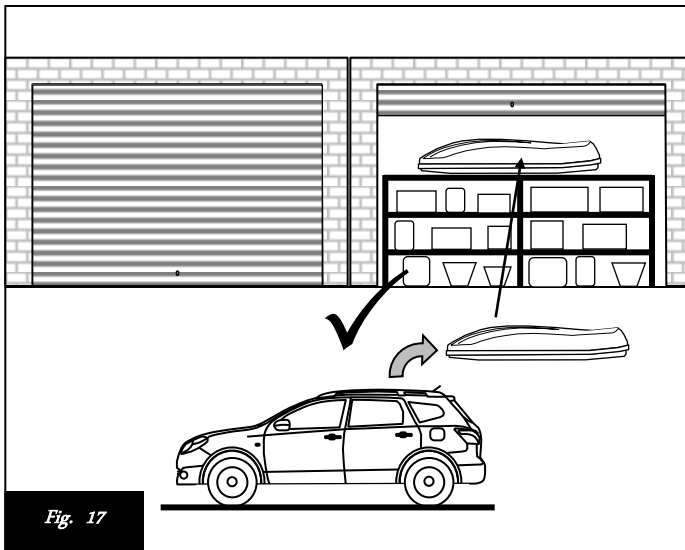


Fig. 17

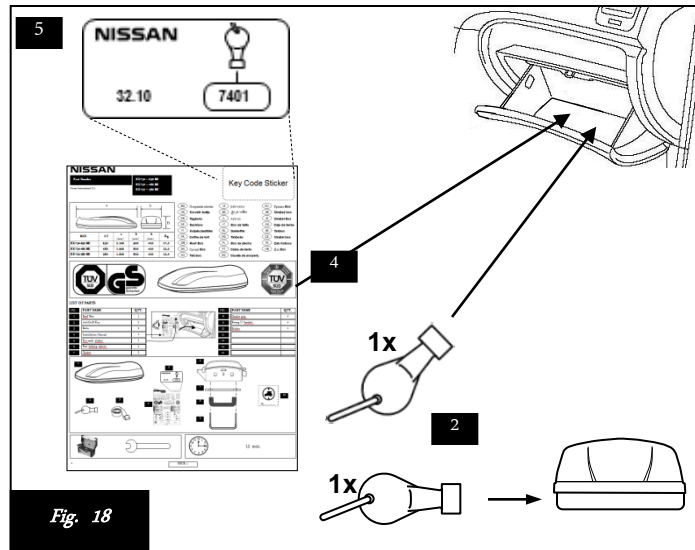


Fig. 18