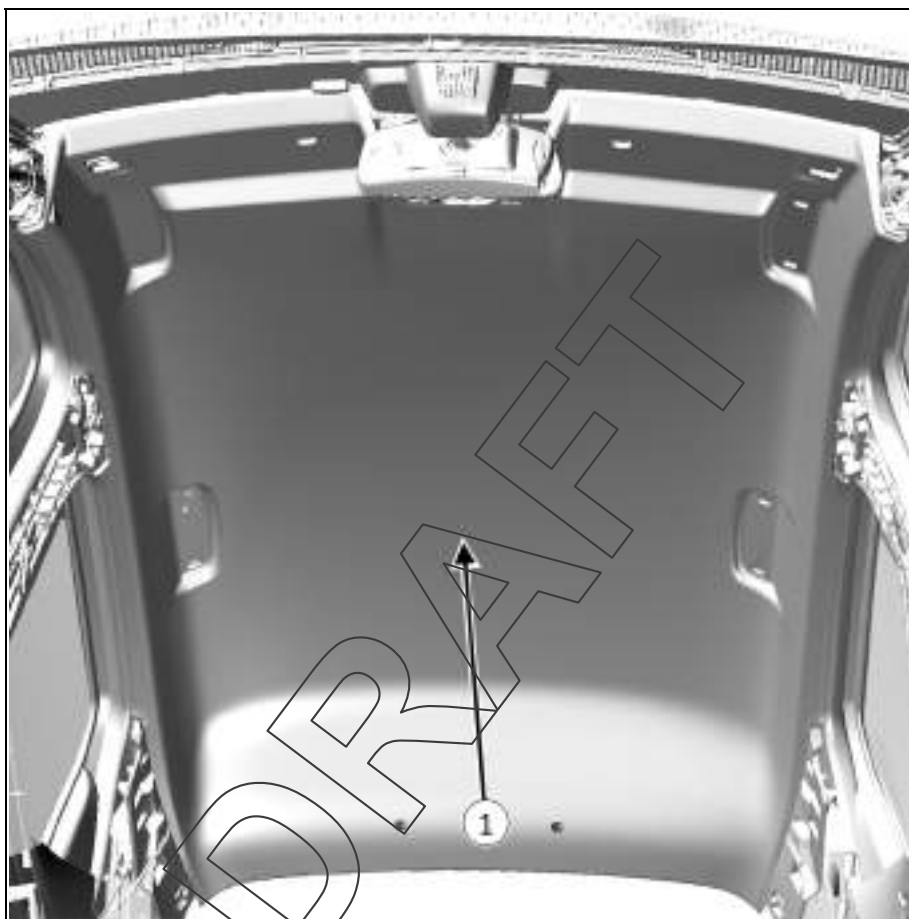


RADIO AERIAL: REMOVAL - REFITTING

Torque tightening		
the radio aerial bolt	6,5 N.m	

1 REMOVAL

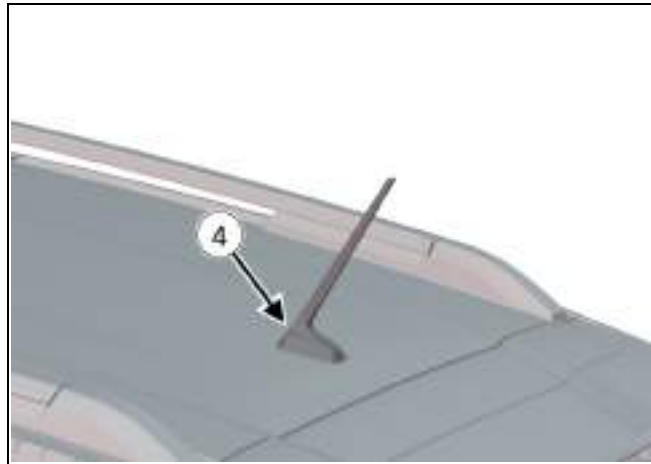
1.1 REMOVAL PREPARATION



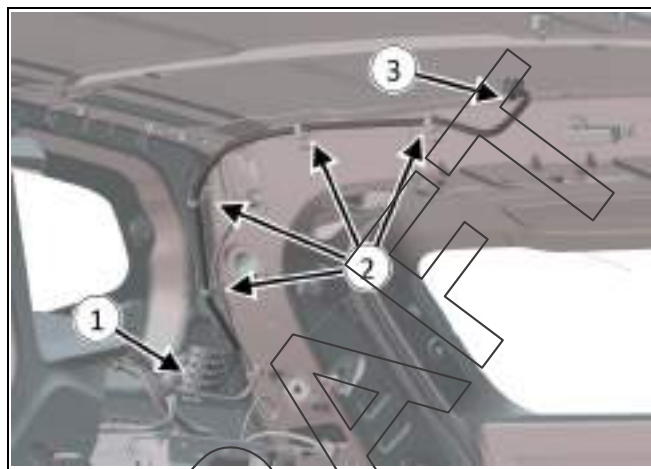
RPR-002102276-03-000354980

- Remove the marked (1) roof headlining until the middle side

1.2 REMOVAL

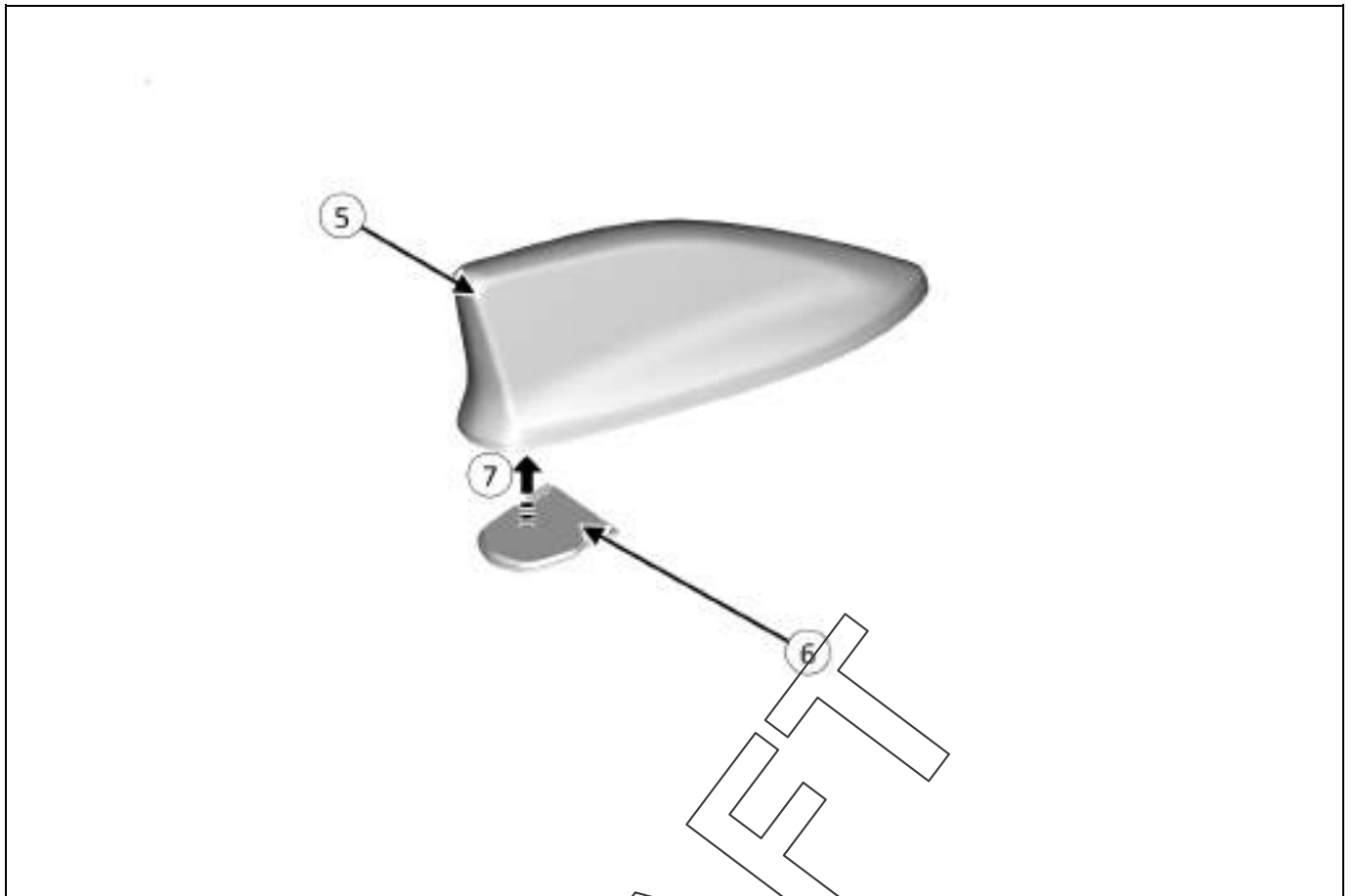


RPR-002102276-01-000445160

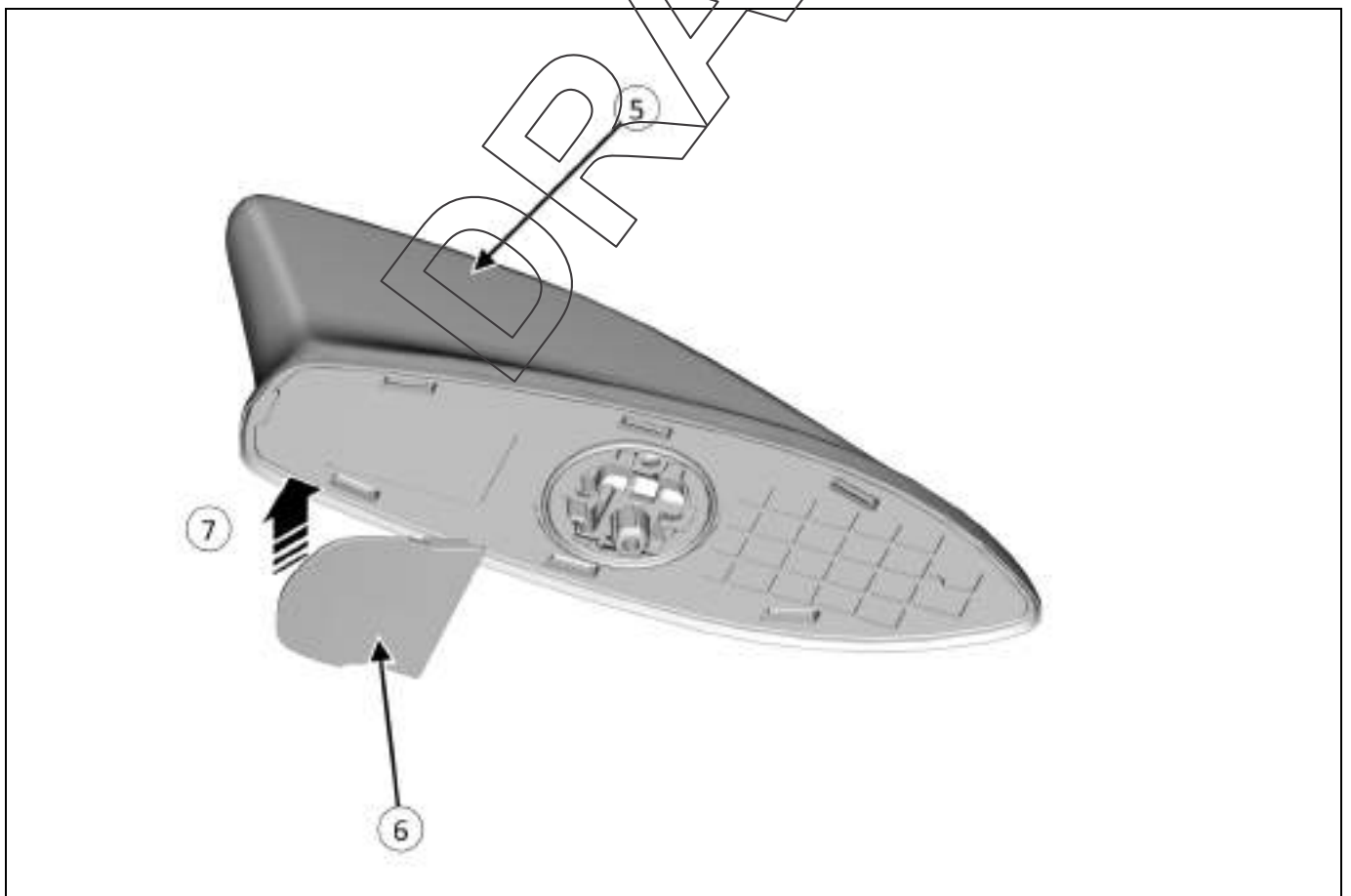


RPR-002102276-02-000445161

- Disconnect the radio aerial connectors (1).
- Unclip the radio aerial wiring in (2).
- Unscrew the radio aerial bolt (3).
- Remove the radio aerial (4).



RPR-002102276-04-000456648

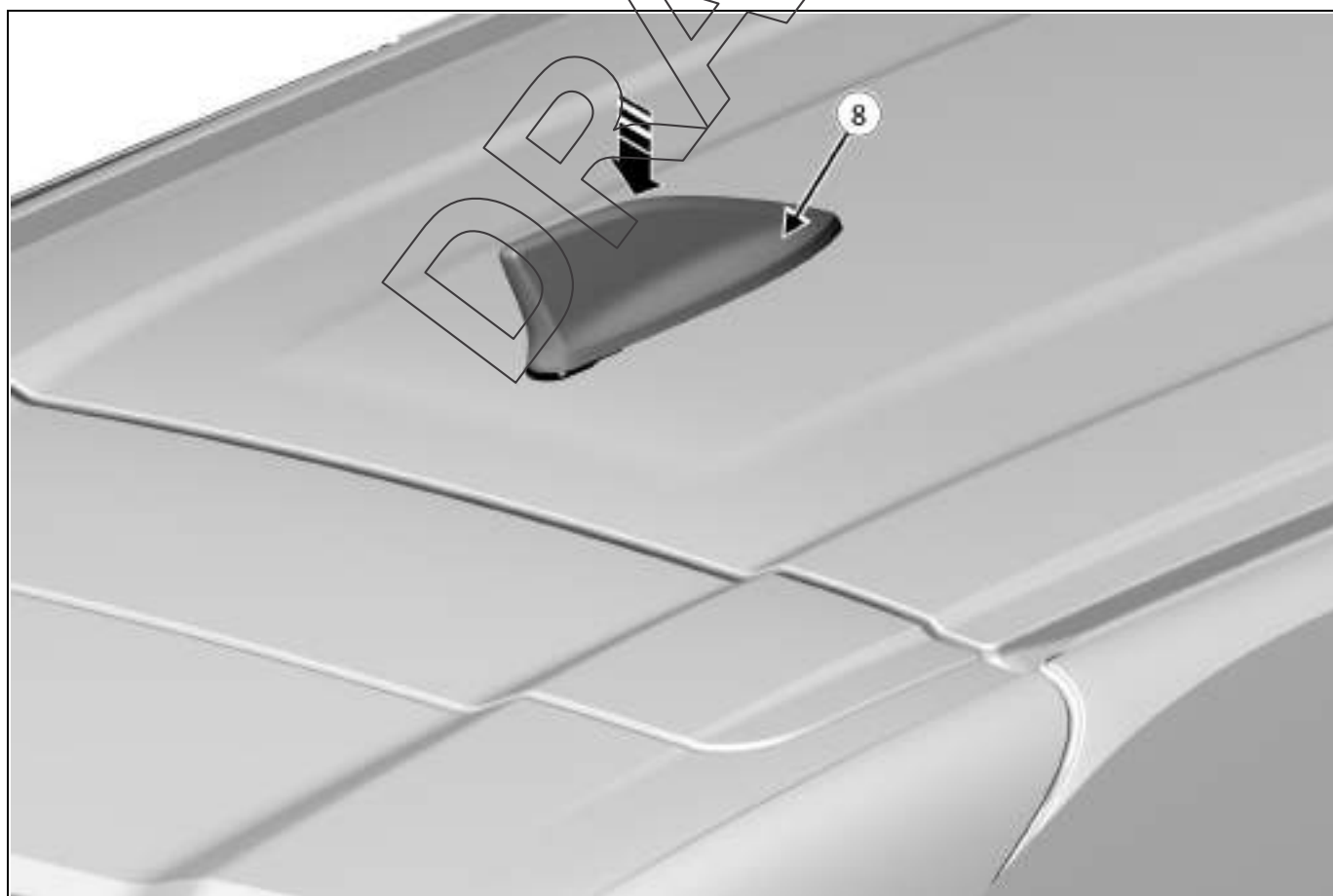


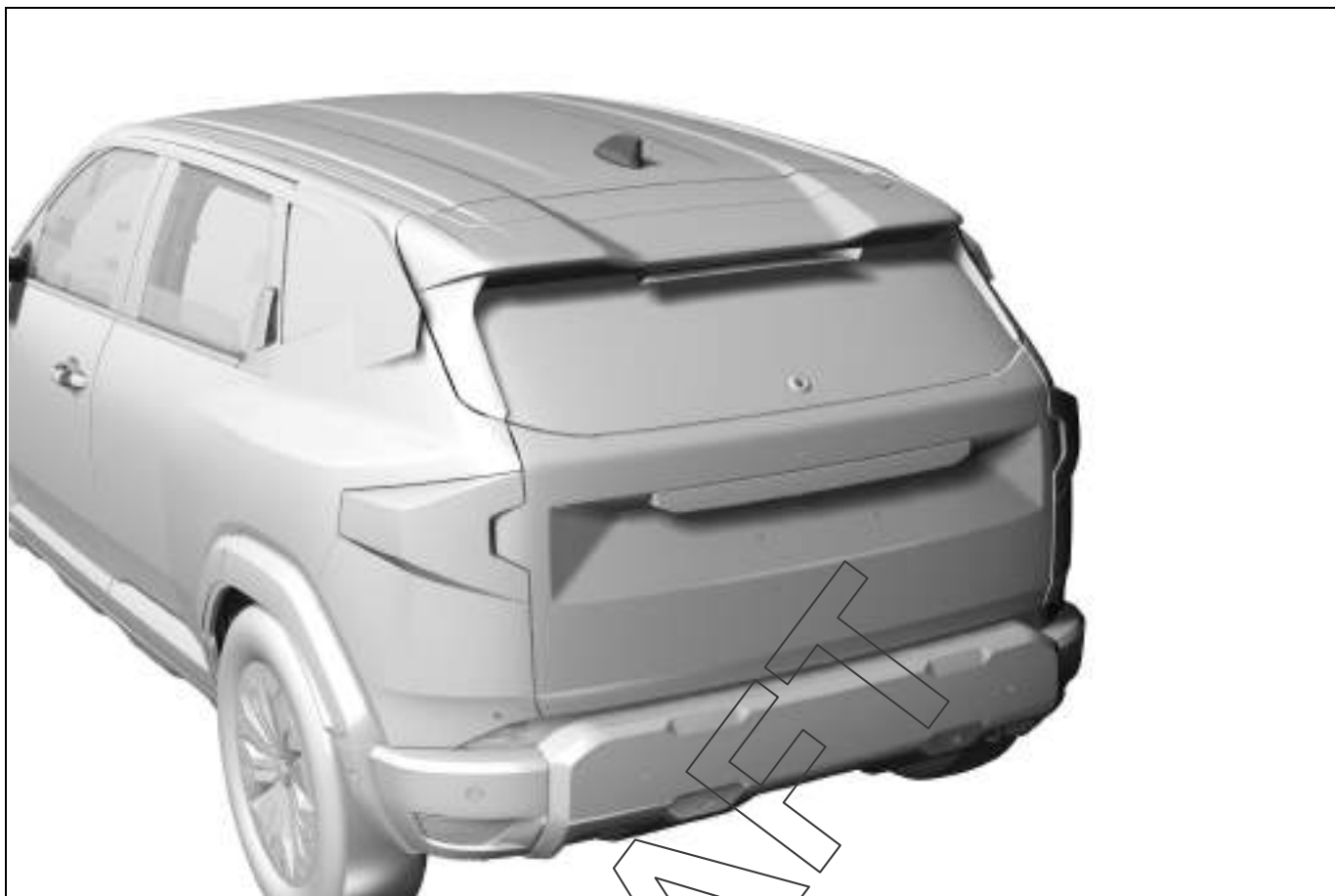
- Fit the marked (6) additional part to marked (5) shark antenna by given direction (7)

DRAFT



RPR-002102276-06-000456650





- Finalize shark antenna assembly [\(8\)](#) by given direction .

2 REFITTING

- Proceed in the reverse order to removal.
- tighten to torque the radio aerial bolt at 6,5 N.m**